



# User's Guide

---

## Rock Sounder

Wireless 900MHz Outdoor Speaker System

Rock Sounder Wireless 900MHz Outdoor Speaker System

Model: GDI-AQRCK400 / AQRCK41



**IMPORTANT:** Please **read your User's Guide** before using your system

## **INTRODUCTION**

Your ROCK speaker is designed with a 900 MHz wireless speaker system using the latest wireless technology to enjoy audio anywhere inside or outside your home. Simply connect the desired audio source (Radio, TV, VCR, Hi-Fi and CD/MP3/VCD/DVD player) to the ROCK speaker transmitter. The ROCK wireless system is ideal for use outside (garden, etc) given speaker's weather resistant standard, rechargeable battery life and no need for complicated wiring installation.

## **IMPORTANT SAFETY INSTRUCTIONS**

1. Read & keep these instructions.
2. Keep these instructions.
3. Follow all warnings and cautions
4. Do not use this apparatus near water.
5. Do not install near any heat source such as radiators, heat registers, stoves, or other apparatus (including amplifiers) that produce heat.
6. Do not open the cabinet as this might result in damage to the circuitry or electrical shock. If a foreign object should get into the set, contact your dealer.

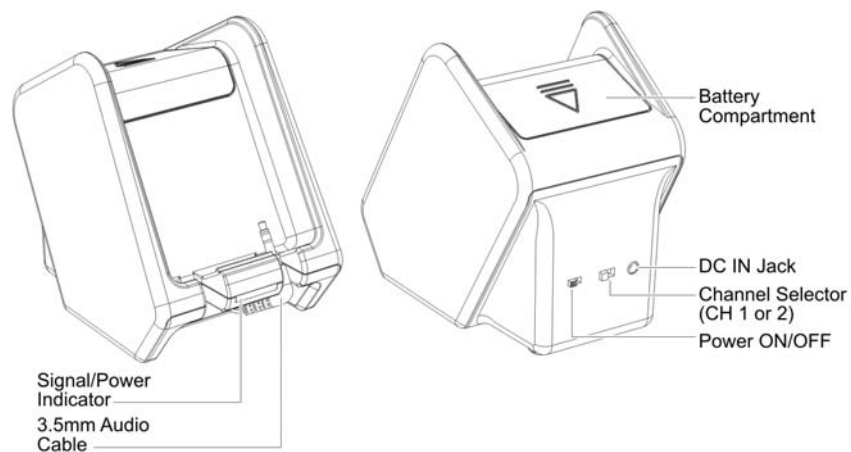
<b>WARNING</b>
<b>POWER ADAPTOR:</b> The power adaptor included with your unit is intended for indoor environments and use. Do <b>NOT</b> use the power adaptor in moist or wet environments. Where there is a chance of rain, you may operate the speaker with battery power.
<b>SPEAKER:</b> Do <b>NOT</b> put your speaker in any type of body of water.
<b>CAUTION</b>
RISK of ELECTRIC SHOCK – do <b>NOT</b> open! Do <b>NOT</b> remove casing. No user serviceable parts inside. Refer servicing to qualified service personnel.
<b>WARNING</b>
This product may contain chemicals listed in <b>Proposition 65</b> <a href="http://www.oehha.ca.gov/prop65/prop65_list/Newlist.html">http://www.oehha.ca.gov/prop65/prop65_list/Newlist.html</a> that may be known to cause cancer, birth defects or other reproductive harm

## **FEATURES**

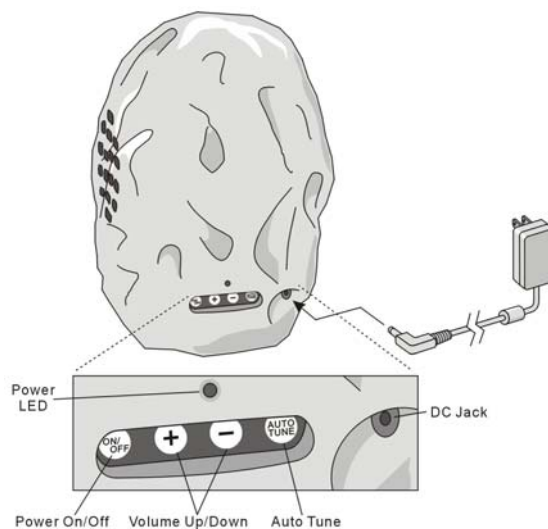
1. Automatic PLL (Phases Lock Loop) scanning system on speaker receivers.
2. PLL (Phase Lock Loop) transmitter transmission system.
3. 900 MHz RF (Radio Frequency) technology
4. Weather-proof rock-style outdoor / indoor speaker system
5. RF technology lets you place the rock speaker freely anywhere in your garden
6. Operate up to 150 feet
7. No line of sight limitation
8. Auto ON/OFF control on transmitter
9. Auto tuning function on the speaker
10. Auto shut-off on speaker
11. Rechargeable Built-in Battery Pack
12. Optional AC power adaptor or Battery powered transmitter for mobility
13. Universal Transmitter can be used with Aqua Sounder II, Schooner II & Mini-Bullets II speakers for 'unlimited expandability'

## **COMPONENT IDENTIFICATION**

### **TRANSMITTER**

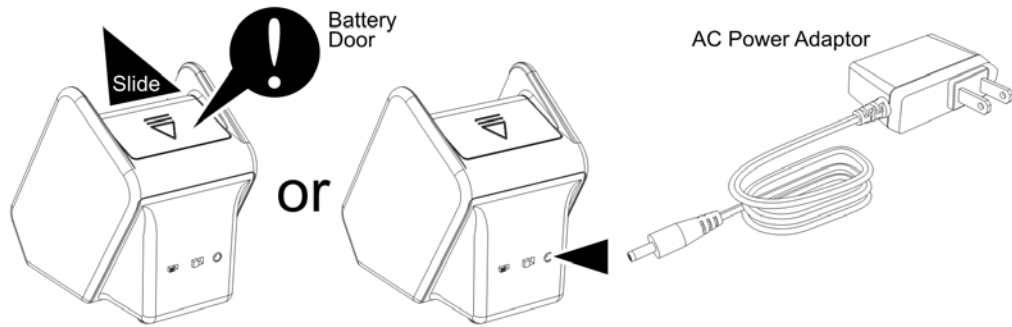


### **SPEAKER (RECEIVER)**

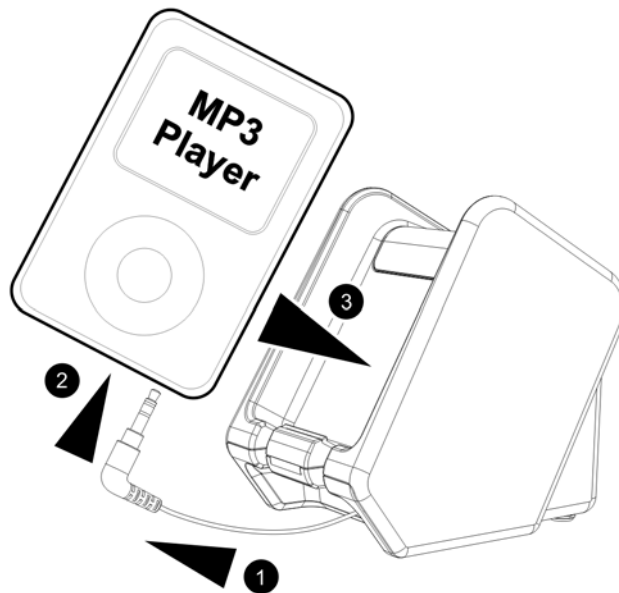


## SET UP

### TRANSMITTER



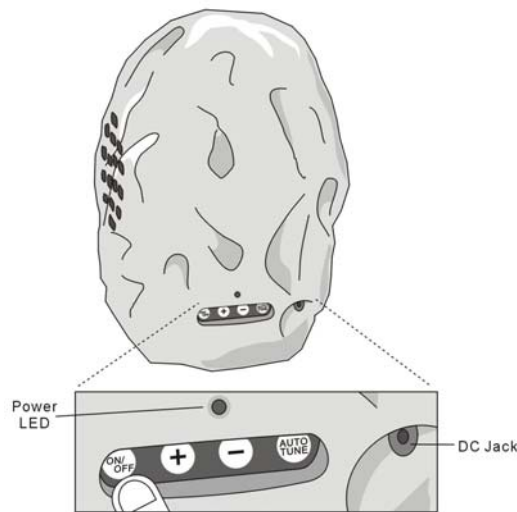
1. Connect the AC power adaptor included with your unit to electrical wall outlet.
2. Plug the AC power adaptor included with your unit in the jack located on the rear of the transmitter. Option 4 X "AA" size ALKALINE batteries can be used to power the transmitter. NOTE: ensure battery polarity (+/-) are matched and correctly aligned correct when inserting the batteries in the compartment
3. Turn on the transmitter by setting the POWER switch to the ON position, and the POWER LED (blue) on transmitter will start flashing.
4. The retractable audio cord located at the front of transmitter can be connected to an audio output jack of any audio source (i-Pod, i-Phone, MP3, Hi-Fi, MP3/CD/VCD/DVD players, etc.)



5. When the transmitter receives an audio signal, the blue SIGNAL LED and the red POWER LED will illuminate together. If the blue SIGNAL LED does not illuminate, ensure the audio source is turned on and properly connected to the jack.

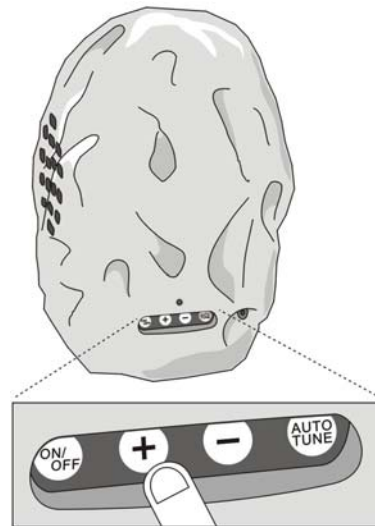
## **SPEAKER (RECEIVER)**

1. Plug the power adapter into the rock speaker and connect to a power outlet. The built-in battery will power the speaker without being connected to a power adapter. The battery pack must be charged at least **12 hours** before the first operation.
2. The rock speaker can be operated either with power supplied by the charged battery pack or from a connection to the power adapter connected to a wall power outlet. When the power adapter is connected, the **battery pack** will **simultaneously charge while** the unit is **in operation**.
3. Press the **ON/OFF button** and turn the speaker ON. The **POWER LED** will light up in **green**. Switch off the speaker by pressing the **ON/OFF button** on the speaker, and the LED will be off.



## **OPERATION**

1. **Turn on the audio source** (audio device) that is connected to the transmitter. The green LED on the transmitter will light up.
2. Select **Channel 1 or 2** of the transmitter for best performance in your location.
3. Turn on the **ON/OFF button** on the speaker. Press the **“AUTO TUNE”** button to get the best tuning reception in the speaker. When the button is pressed, frequency tuning starts automatically and stops when a signal is detected.
4. Volume can be adjusted up or down by pressing **“+”** and **“-“ buttons** until the desired listening level is set.



5. Should you experience a **frequency jam** and no perceived reception/transmission, scroll the available frequencies. To do this, switch between **Channels 1 and 2** on the transmitter and press the “**AUTO-TUNE**” **button** on the Rock speaker.

#### 6. 'Switching Off'

- a) For protection of the transmitter and power saving, the transmitter will cut off automatically if there is no/weak operation input signal from audio source for approximately 4 minutes.

IF the audio signal returns, the transmitter should also turn on automatically.

- b) Turn off the speaker by pressing the **ON/OFF button**, or wait for the unit to automatically switch off in approximately 4 minutes from the time the transmitter is turned off.

#### 7. Outdoor Use & Weather Conditions

- a) The rock speaker unit should be operated in a temperature range of 14°F – 122°F. Operation at temperature conditions beyond this range may cause damage to the unit.
- b) The rock speaker should be moved indoors when weather conditions are extreme, such as during times of heavy rain, snow or temperatures below 14°F and over 122°F.

**WARNING:** The power adaptor included with your unit is intended for indoor environments and use. Do NOT use the power adapter in moist or wet environments. Where there is a chance of rain, you may operate the speaker with battery power.

#### 8. Re-charging Speaker Battery

Use the power adapter to connect the speaker to the power outlet and the speaker's built-in rechargeable batteries will re-charge automatically.

## **TROUBLE SHOOTING**

### **NO SOUND**

- Ensure the AC/DC adaptor is fully inserted into the AC outlet and the power connection input on the transmitter.
- Ensure the speaker is switch ON.
- Speaker's battery capacity is low, connect the AC/DC adaptor to the speaker.
- Ensure the TV or audio component is ON.
- The volume of speaker is too low, adjust the volume to an appropriate level.
- Ideally the audio source is ON and volume level is set to at 50-75% of maximum.

### **DISTORTED SOUND**

- Press the "AUTO-TUNE" button on the speakers to find the transmitter frequency
- Change the position of the channel selector on the transmitter. Press "AUTO TUNE" button on the speaker.
- Ensure the volume level of speaker is adjusted properly.
- The speaker is too far away from the transmitter, move it closer.
- Audio input level of the audio signal is too low. Turn up the audio source volume
- The Transmitters audio input level is too high, lower the audio source volume level
- Ideally the audio source is ON and volume level is set to at 50-75% of maximum.

## **SPECIFICATIONS**

Transmission Mode	:	UHF stereo
Carrier Frequency	:	900 MHz
Operation Voltage	:	Transmitter, DC 12.5V 150mA Speaker, built-in lead acid rechargeable battery or DC 15V 1.5A adaptor
Frequency Response	:	40Hz – 12KHz
Distortion	:	1%
S/N Ratio	:	65dB
Operation Distance	:	Up to 150 feet
Output Power	:	100Watts (PMPO)
Storage Conditions	:	Put the speaker indoor if 1) Heavy Rain 2) Snowing 3) Temperature below 14°F, over 122°F
Operation Conditions	:	At temperature below 122°F, over 14°F

**WARNING:** Changes or modifications to this unit not expressly approved by the party responsible for compliance could void the user's authority to operate the equipment. Operation is subject to the following two conditions: (1) this device may not cause interference, and (2) this device must accept any interference, including interference that may cause undesired operation of the device.

**This device must be used with the AC/DC adaptor supplied in the package.**

## **CUSTOMER SERVICE & SUPPORT**

For questions regarding your system or any other Grace Digital product, visit us at: [www.gracedigitalaudio.com](http://www.gracedigitalaudio.com) or contact us at: [info@gracedigitalaudio.com](mailto:info@gracedigitalaudio.com)

04\_2010



Grace Digital Audio  
San Diego, CA

