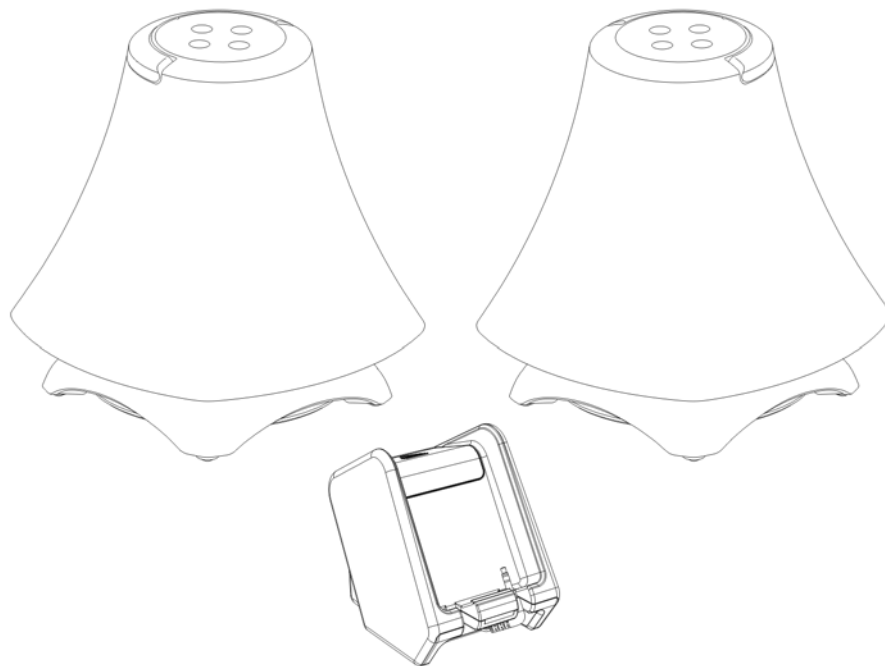


# User's Guide

---

## Schooners II

Wireless 900MHz Speaker System



Schooners II 900MHz Wireless Speaker System

Model: GDI-AQSHR200 /AQSHR21

**IMPORTANT:** Please **read your User's Guide** before using your system

**INTRODUCTION**

Your SCHOONERS II speaker is designed using the latest wireless technology to enjoy audio anywhere inside or outside your home. Simply connect the desired audio source (Radio, TV, VCR, Hi-Fi and CD/MP3/VCD/DVD player) to the speaker transmitter.

**IMPORTANT SAFETY INSTRUCTIONS**

1. Read & keep these instructions.
2. Keep these instructions.
3. Follow all warnings and cautions
4. Do not use this apparatus near water.
5. Do not install near any heat source such as radiators, heat registers, stoves, or other apparatus (including amplifiers) that produce heat.
6. Do not open the cabinet as this might result in damage to the circuitry or electrical shock. If a foreign object should get into the set, contact your dealer.

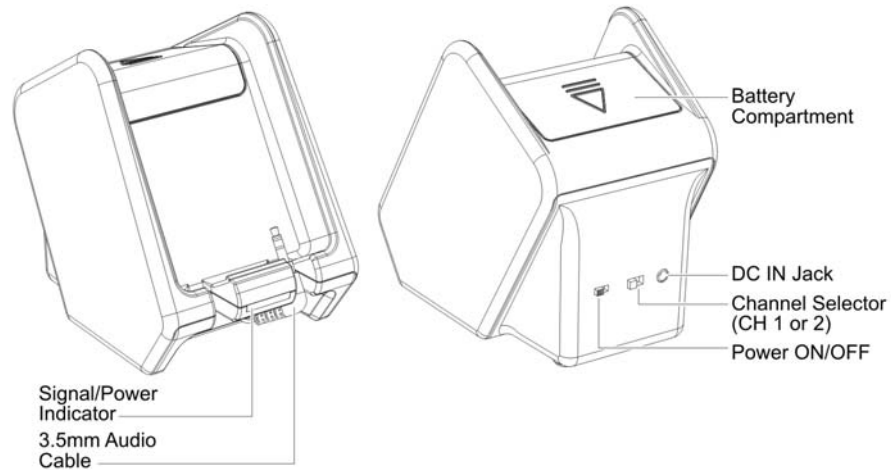
<b>WARNING</b>
<b>POWER ADAPTOR:</b> The power adaptor included with your unit is intended for indoor environments and use. Do <b>NOT</b> use the power adapter in moist or wet environments. Where there is a chance of rain, you may operate the speaker with battery power. <b>NEVER</b> use the adaptor with your Speakers in any type of body of water. <b>Use batteries power only when used in water</b>
<b>CAUTION</b>
RISK of ELECTRIC SHOCK – do <b>NOT</b> open! Do <b>NOT</b> remove casing. No user serviceable parts inside. Refer servicing to qualified service personnel.
<b>WARNING</b>
This product may contain chemicals listed in <b>Proposition 65</b> <a href="http://www.oehha.ca.gov/prop65/prop65_list/Newlist.html">http://www.oehha.ca.gov/prop65/prop65_list/Newlist.html</a> that may be known to cause cancer, birth defects or other reproductive harm

## **FEATURES**

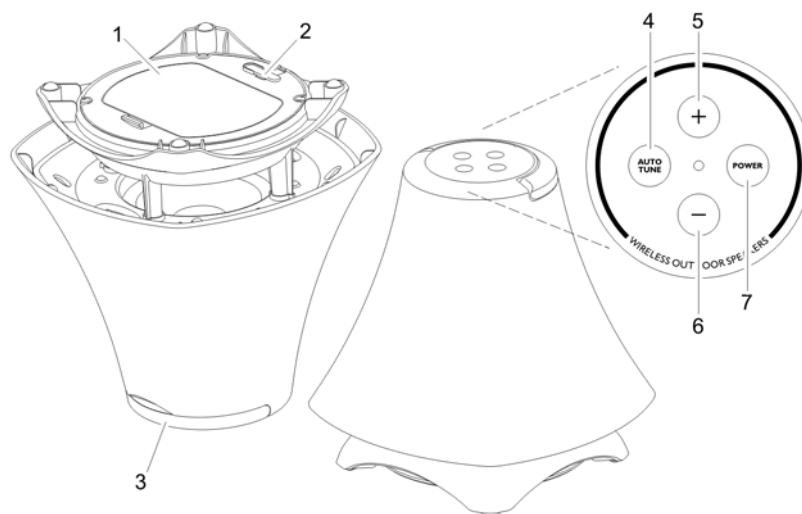
1. Automatic PLL (Phases Lock Loop) scanning system on speaker receivers.
2. PLL (Phase Lock Loop) transmitter transmission system.
3. 900 MHz RF (Radio Frequency) technology
4. Weather-proof style for outdoor / indoor speaker system use
5. RF technology lets you place the rock speaker freely anywhere in your garden
6. Operate up to 150 feet
7. No line of sight limitation
8. Auto ON/OFF control on transmitter
9. Auto tuning function on the speaker
10. Optional transmitter AC power adaptor or battery operation for portability
11. Universal Transmitter can be used with Aqua Sounder II, Mini-Bullets II, & Rock Sounder speakers for 'unlimited expandability'.

## **COMPONENT IDENTIFICATION**

### **TRANSMITTER**



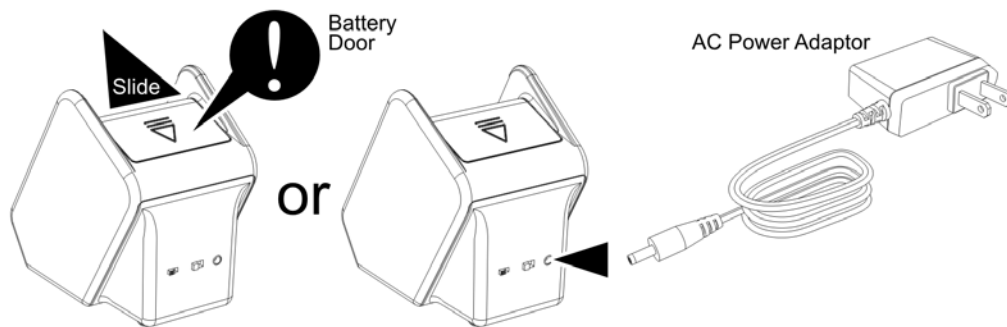
### **SPEAKER (RECEIVER)**



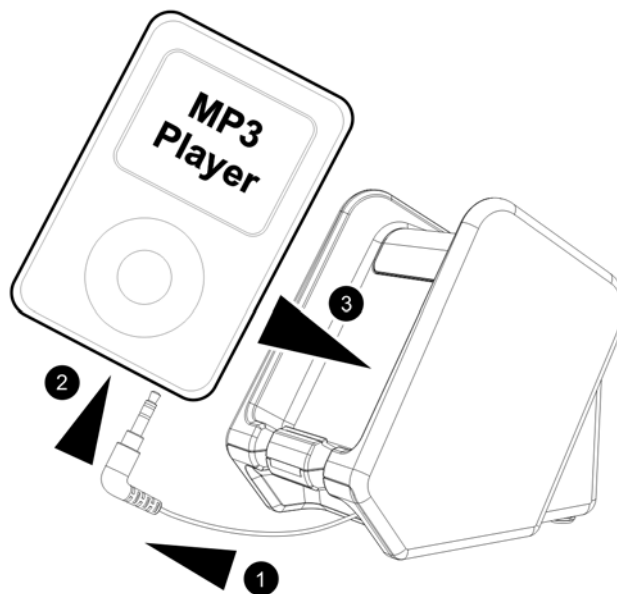
- |                               |              |                |                 |
|-------------------------------|--------------|----------------|-----------------|
| 1. Batteries Compartment      | 3. Handle    | 5. Volume Up   | 7. Power ON/OFF |
| 2. DC IN (power adapter) Jack | 4. Auto Tune | 6. Volume Down |                 |

## SET UP

### TRANSMITTER



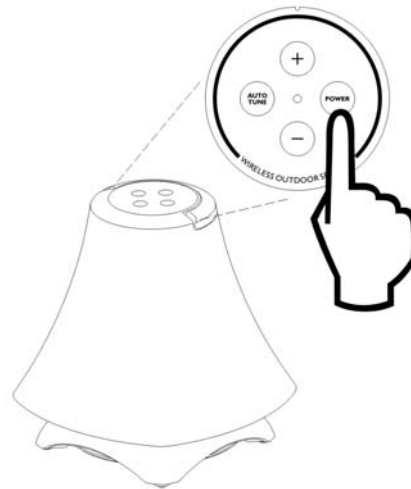
1. Connect the AC power adaptor included with your unit to electrical wall outlet.
2. Plug the **AC power adaptor** included with your unit in the jack located on the rear of the transmitter. Option **4 X "AA" size ALKALINE batteries** can be used to power the transmitter for portability. NOTE: ensure battery polarity (+/-) are matched and correctly aligned correct when inserting the batteries in the compartment
3. Turn on the transmitter by setting the POWER switch to the ON position, and the POWER LED (blue) on transmitter will start flashing.
4. The retractable audio cord located at the front of transmitter can be connected to an audio output jack of any audio source (i-Pod, i-Phone, MP3, Hi-Fi, MP3/CD/VCD/DVD players, etc.)



5. When the transmitter receives an audio signal, the blue SIGNAL LED and the red POWER LED will illuminate together. If the blue SIGNAL LED does not illuminate, ensure the audio source is turned on and properly connected to the jack.

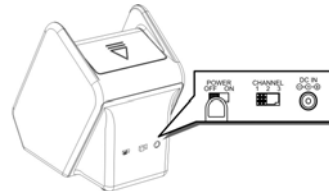
## SPEAKER (RECEIVER)

1. Connect the 12V power adaptor to the DC input jack on the bottom of each speaker, then plug into the power wall outlet. You may also insert 6 x 'AA' size ALKALINE batteries into the battery compartment. Ensure the batteries polarity (+/-) are correct, at the bottom of the speakers (batteries not included in the package).
2. Press the POWER button and turn the speakers ON. The POWER LED will light up in blue. Switch off the speakers by pressing the POWER button on the speaker, and the LED will turn off.



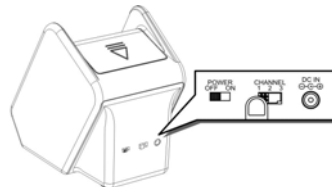
## OPERATION

1. Turn on the audio source to which the transmitter is connected with.
2. Turn on the transmitter by set the **POWER switch** to ON position, and the



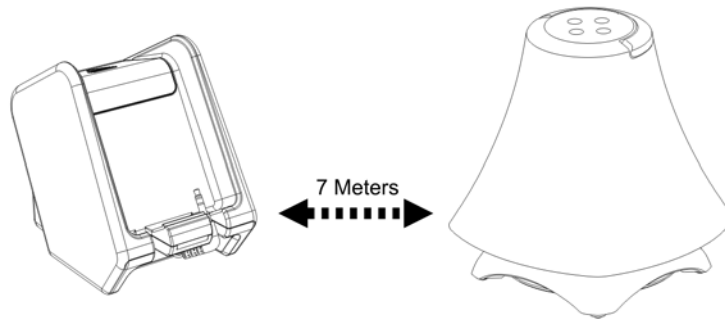
**POWER LED** on transmitter will light up .

3. Select between the **channels** on the transmitter for best performance for the location selected.

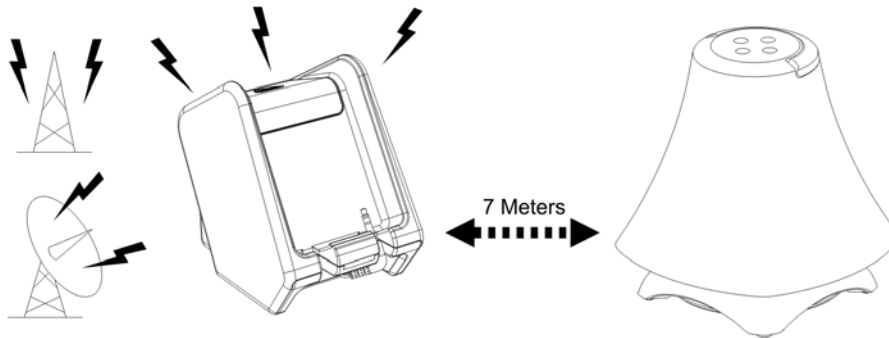


4. Press the "POWER" button on the speaker to turn on the speaker Press the "**SCAN**" **AUTO-TUNE button** to get the best tuning reception on the speaker. When the button is pressed, frequency tuning starts automatically and it stops when a signal is detected. The **POWER LED** will illuminate steadily once connected.

→ Keep a distance of the speaker up to **7 meters apart** from transmitter, and then press “SCAN” auto-tuning button for best tuning reception.

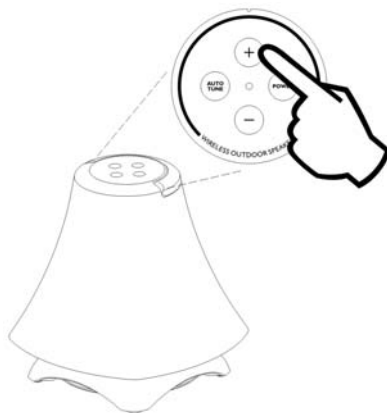


→ Should you experience a “**frequency jam**”, adjust the channels by switch from one channel to the other channel on the transmitter, and then press the “**SCAN**” **AUTO TUNE** button on the speaker again.



**NOTE:** The **signal from the transmitter** will decrease in strength over increased distances and as barriers and interference increase.

5. Adjust the volume to the desired listening level. Volume can be adjusted up by pressing “+” button or down by pressing the button “-” to the desired listening level



**NOTE:** IF disruption should occur (signal breaks up), press the “**SCAN**” **auto-tuning** button on the speaker to maximize best reception.

If you hear interference from other components, switch between the **channels** on the transmitter and press the “**SCAN**” **auto-tuning** button for best reception.

**NOTE:** batteries should be removed from the transmitter & speaker in cases of extended storage periods. Move the speakers indoors when weather conditions are extreme.

## 6. Outdoor, Water Use & Weather Conditions

- Schooners II speaker is designed to be used in conservative outdoor conditions
- The speaker should not be operated in extreme temperature
- The transmitter and adapters must NOT be used in any type of water body or in a moist or wet environment.

**WARNING:** The power adaptor included with your unit is intended for indoor environments and use. Do NOT use the power adapter in moist or wet environments. Where there is a chance of rain, you may operate the speaker with battery power.

## **TROUBLE SHOOTING**

### **NO SOUND**

- Check that the batteries are fully charges on the speaker
- Check there is not too much water retention inside the speaker grill. Turn over the speaker and let the water drain out from the speaker grill.
- Ensure the AC/DC adaptor is fully inserted into the AC outlet and the power connection input on the transmitter.
- Ensure the speaker is switch ON.
- Speaker’s battery capacity is low, connect the AC/DC adaptor to the speaker.
- Ensure the TV or audio component is ON.
- The volume of speaker is too low, adjust the volume to an appropriate level.

### **DISTORTED SOUND**

- Press the “AUTO-TUNE” button on the speakers to find the transmitter frequency
- Check there is not Too much water retention inside the speaker grill. Turn over the speaker and let the water drain out from the speaker grill.
- Change the position of the channel selector on the transmitter. Press “AUTO TUNE” button on the speaker.
- Ensure the volume level of speaker is adjusted properly.
- The speaker is too far away from the transmitter, move it closer.
- Audio input level of the audio signal is too low. Turn up the audio source volume
- The Transmitters audio input level is too high, lower the audio source volume level
- Ideally the audio source is ON and volume level is set to at 50-75% of maximum.

## **SPECIFICATIONS**

Transmission Mode	:	UHF stereo
Carrier Frequency	:	900 MHz
Operation Voltage	:	Transmitter, 4 X 'AA' size Alkaline batteries (not included) or DC 12V 200mA Speaker, 6 X 'AA' size Alkaline batteries (not included) or DC 12V 1.2A adaptor
Frequency Response	:	40Hz – 12KHz
Distortion	:	1.0%
S/N Ratio	:	65dB (typical)
Channel Separation	:	50dB (Typical)
Operation Distance	:	Up to 150 feet
Output Power	:	2 x 4W (RMS)

**WARNING:** Changes or modifications to this unit not expressly approved by the party responsible for compliance could void the user's authority to operate the equipment. Operation is subject to the following two conditions: (1) this device may not cause interference, and (2) this device must accept any interference, including interference that may cause undesired operation of the device.

**This device must be used with the AC/DC adaptor supplied in the package.**

## **CUSTOMER SERVICE & SUPPORT**

For questions regarding your system or any other Grace Digital product, visit us at: [www.gracedigitalaudio.com](http://www.gracedigitalaudio.com) or contact us at: [info@gracedigitalaudio.com](mailto:info@gracedigitalaudio.com)



Grace Digital Audio  
San Diego, CA

